

4-353294-0 ✓ ACTIVE

## AMP Mini CT

TE Internal #: 4-353294-0

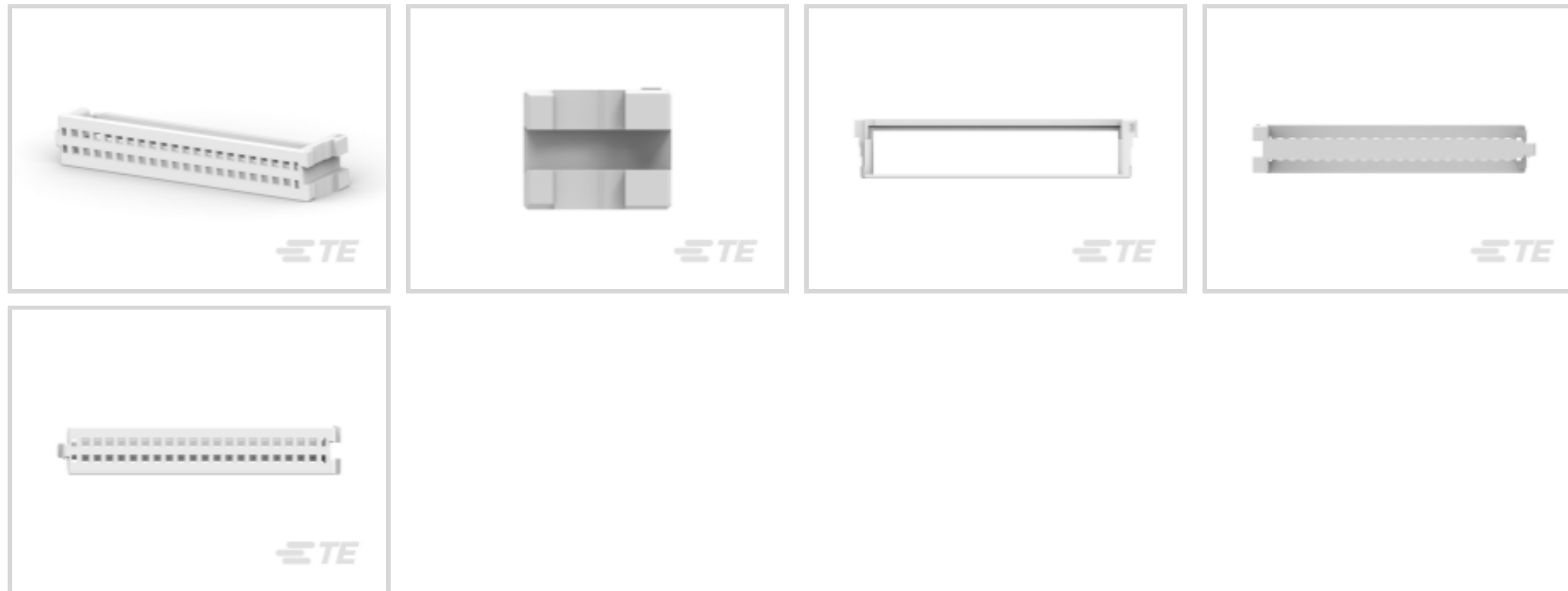
PCB Connector Mounting, Holder, 40 Position, .059 in [1.5 mm]

Centerline, Natural, -22 – 221 °F [-30 – 105 °C], AMP Mini CT

[View on TE.com >](#)



Connectors > PCB Connectors > PCB Connector Accessories > PCB Connector Hardware > Mounting



Connector Mounting Accessory Type: **Holder**

Number of Positions: **40**

Centerline (Pitch): **1.5 mm [ .059 in ]**

Primary Product Color: **Natural**

Sealable: **No**

### Features

#### Product Type Features

|                                   |        |
|-----------------------------------|--------|
| Connector Mounting Accessory Type | Holder |
| Sealable                          | No     |

#### Configuration Features

|                     |    |
|---------------------|----|
| Number of Positions | 40 |
|---------------------|----|

#### Body Features

|                       |         |
|-----------------------|---------|
| Primary Product Color | Natural |
|-----------------------|---------|

#### Housing Features

|                    |                 |
|--------------------|-----------------|
| Centerline (Pitch) | 1.5 mm[.059 in] |
|--------------------|-----------------|

#### Usage Conditions

|                             |                            |
|-----------------------------|----------------------------|
| Operating Temperature Range | -30 – 105 °C[-22 – 221 °F] |
|-----------------------------|----------------------------|

#### Industry Standards

|                        |          |
|------------------------|----------|
| UL Flammability Rating | UL 94V-0 |
|------------------------|----------|

#### Packaging Features

|                    |     |
|--------------------|-----|
| Packaging Quantity | 300 |
|--------------------|-----|



Packaging Method

Box

### Product Compliance

[For compliance documentation, visit the product page on TE.com>](#)

EU RoHS Directive 2011/65/EU

Compliant

EU ELV Directive 2000/53/EC

Compliant

China RoHS 2 Directive MIIT Order No 32, 2016

No Restricted Materials Above Threshold

EU REACH Regulation (EC) No. 1907/2006

Current ECHA Candidate List: JUNE 2022 (224)  
 Candidate List Declared Against: JUNE 2022 (224)  
 Does not contain REACH SVHC

Halogen Content

Low Halogen - Br, Cl, F, I < 900 ppm per homogenous material. Also BFR/CFR/PVC Free

Solder Process Capability

Not applicable for solder process capability

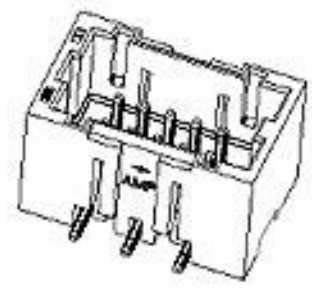
#### Product Compliance Disclaimer

This information is provided based on reasonable inquiry of our suppliers and represents our current actual knowledge based on the information they provided. This information is subject to change. The part numbers that TE has identified as EU RoHS compliant have a maximum concentration of 0.1% by weight in homogenous materials for lead, hexavalent chromium, mercury, PBB, PBDE, DBP, BBP, DEHP, DIBP, and 0.01% for cadmium, or qualify for an exemption to these limits as defined in the Annexes of Directive 2011/65/EU (RoHS2). Finished electrical and electronic equipment products will be CE marked as required by Directive 2011/65/EU. Components may not be CE marked. Additionally, the part numbers that TE has identified as EU ELV compliant have a maximum concentration of 0.1% by weight in homogenous materials for lead, hexavalent chromium, and mercury, and 0.01% for cadmium, or qualify for an exemption to these limits as defined in the Annexes of Directive 2000/53/EC (ELV). Regarding the REACH Regulation, the information TE provides on SVHC in articles for this part number is based on the latest European Chemicals Agency (ECHA) 'Guidance on requirements for substances in articles' posted at this URL: <https://echa.europa.eu/guidance-documents/guidance-on-reach>

### Compatible Parts



TE Part # CAT-AM7053-C7671  
 MINI COMMON TERMINATION CONTACTS



TE Part # 4-292229-0  
 1.5 MINI CT D/R SMT 40P V ONTA



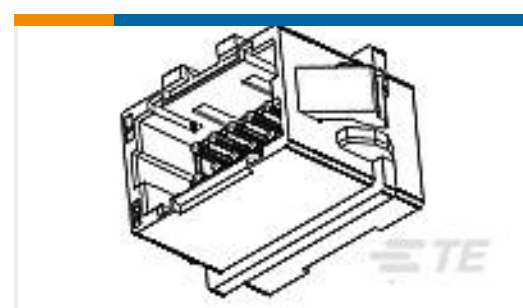
TE Part # 2-353293-0  
 MINI CT MT REC ASSY 20P GRAY



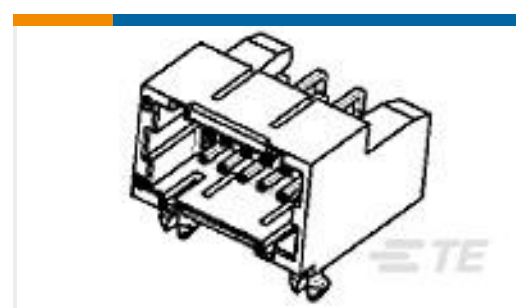
TE Part # 1-353293-3  
 MINI CT MT REC ASSY 13P GRAY



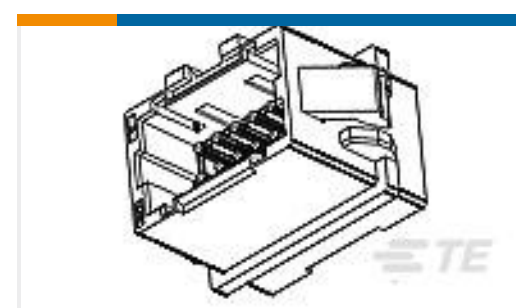
TE Part # 4-292208-0  
MINI CT D/R DIP 40P V NAT



TE Part # 4-292216-0  
MINI CT D/R RELAY 40P V NAT



TE Part # 4-292262-0  
DBL ROW (H) DIP TYPE WITH BOAR

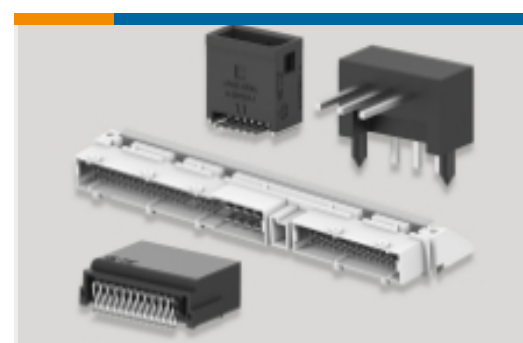


TE Part # 9-292216-0  
MINI CT D/R RELAY 40P V BLUE

## Also in the Series | AMP Mini CT



PCB Connector Mounting(10)



PCB Headers & Receptacles(332)



Wire-to-Board Connector Assemblies  
& Housings(172)



Wire-to-Board Connector Contacts(4)

## Documents

### Product Drawings

[AMP MINI D/R HDR HSG 40P NATU](#)

English

### CAD Files

[3D PDF](#)

English

Customer View Model

[ENG\\_CVM\\_4-353294-0\\_E.3d\\_igs.zip](#)

English

Customer View Model

[ENG\\_CVM\\_4-353294-0\\_E.3d\\_stp.zip](#)

English

Customer View Model

[ENG\\_CVM\\_4-353294-0\\_E.2d\\_dxf.zip](#)

English

By downloading the CAD file I accept and agree to the [Terms and Conditions](#) of use.

### Datasheets & Catalog Pages

[6-1773454-5\\_AMP\\_Mini\\_CT\\_Connector\\_Series\\_QRG](#)

English

### Product Specifications

[Application Specification](#)

English

4-353294-0

PCB Connector Mounting, Holder, 40 Position, .059 in [1.5 mm] Centerline, Natural,  
-22 – 221 °F [-30 – 105 °C], AMP Mini CT



### Product Environmental Compliance

[MD\\_4-353294-0\\_04242018942\\_dmtec](#)

English

[MD\\_4-353294-0\\_04242018942\\_dmtec](#)

English